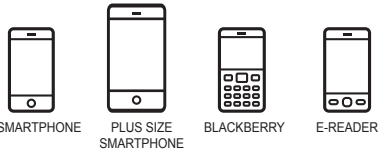
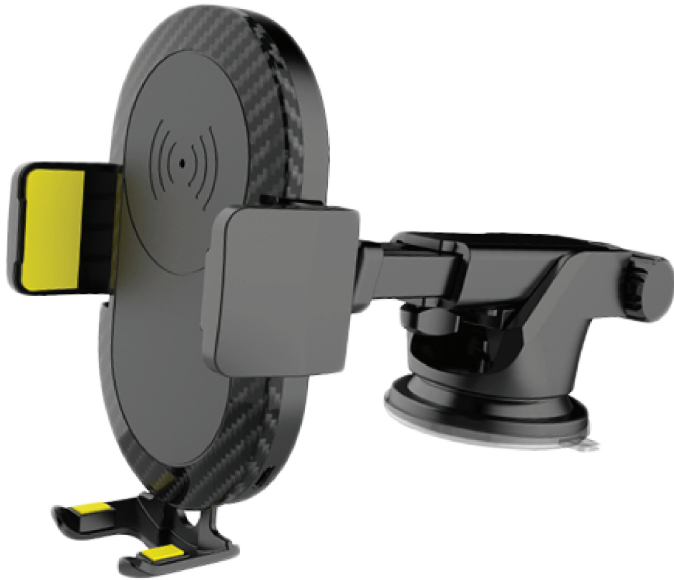


TECHNICAL SUPPORT:

You can contact our technical support representatives, and they will assist you with any questions you might have. Visit our support page online at PTGInternational.com

WARRANTY REGISTRATION:

To register your POWER-TO-GO product please visit PTGInternational.com, scroll over the SUPPORT tab, select "Warranty Registration" from the drop down menu, and fill out the form.



The illustrated products and specifications may differ slightly from those supplied. All trademarks and trade names are those of their respective owners. To explore our full selection of products please visit <http://ptginternational.com>.

Made in China



Wireless Charging Phone Mount

USER MANUAL FOR PM 160



See main mount photos for reference

- Warning: Do not attach to surface with your device mounted
- Note: Make sure the angle adjustment knob is tightened and that the mount is secure before installing your device

Dash Mount Configuration:

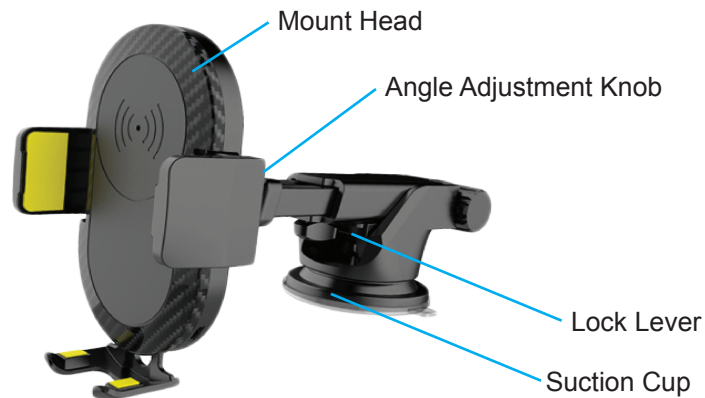
1. Clean designated windshield/dash area, removing dirt and dust, before attaching the mount to the surface
2. Remove protective plastic film from the bottom of the suction cup
3. Align over designated location on the windshield/dash of the car, and press the suction cup firmly
4. Press the lock lever down to secure position

Vent Mount Configuration:

1. Turn the vent grip knob counter-clockwise to loosen the vent grip
2. Slide the vent grip over the vent, and tighten the vent grip knob by turning clockwise to securely mount the vent grip in place

Mount Head Installation:

1. Loosen the angle adjustment knob counter-clockwise, until the angle adjustment knob is loosely engaging the threads. If the knob inadvertently comes off of its threads, simply align the knob with the threads and turn clockwise until it loosely engages.
2. With the vent mount or dash mount already installed, slide the angle adjustment knob over the ball-and-socket joint until you feel a pop
3. Tighten the angle adjustment knob



Device Adjustment/Installation:

- Turn the extension knob counter-clockwise to loosen the telescoping arm. Extend or retract the mount to your desired position. To tighten and secure the telescoping arm, turn extension knob clockwise.
- Turn the angle adjustment knob counter-clockwise to loosen the mount head. Adjust the mount head angle to your desired position. To tighten and secure the mount head, turn the angle adjustment knob clockwise.
- Turn the height adjustment knob counter-clockwise to loosen the mount arm. Raise or lower the mount arm to your desired position. To tighten and secure the mount arm, turn height adjustment knob clockwise.
- Push the phone feet release button to unlock the phone feet. Adjust to the desired position and release the phone feet release button to lock in place.
- Push the phone arm release button to release the spring-loaded phone arms. Place your phone between the phone arms and squeeze the phone arms in place until the phone is snugly held in between the arms.

Wireless Charging:

1. Plug the USB side of the included wireless charging cable into a USB outlet
 2. Plug the micro-USB side of the included wireless charging cable into the charge port on the mount head. The LED indicator will turn red.
 3. Place your wireless charging-enabled device onto the wireless charging pad, and install as described in the "Device Adjustment/Installation" section. The device will automatically begin charging, and the LED indicator will turn blue.
- Note: If your device does not begin charging, adjust the phone feet so that your device's charging pad is directly over the portion of the mount head with the circular outline. This may require incremental adjustments.

